



### BAF1-2RN2-RH



**Enclosed Switches Series BAF/DTF:  
Top Roller Arm Actuator, Adjustable  
with Steel Roller; 1NC 1NO SPDT Snap  
Action; Actuator Position - Right**

*Actual product appearance may vary.*

#### Features

- Up to 20 ampere capacity
- Cast aluminum housing with three-hole mounting
- Right or left-handed (sealed or unsealed) actuators
- Cover seal, captive cover screws
- Momentary or maintained contact
- UL recognized, file #E12252
- CSA certified, file #LR41372
- Sealed to NEMA 1, 3, 4 and 13 requirements
- Grounding screw

#### Potential Applications

- Packaging equipment
- Special machinery
- Agricultural machinery
- Conveyors
- Overhead cranes and hoists

#### Description

The elastomer boot on sealed actuator versions protects the actuating mechanism and the internal basic switch from contaminants. There is a seal gasket between the cover plate and the enclosures on all versions. The cover plate is removed for ease of wiring and switch replacement without demounting the switch. The actuator position is designated "right" or "left," when looking at the nameplate.

#### Product Specifications

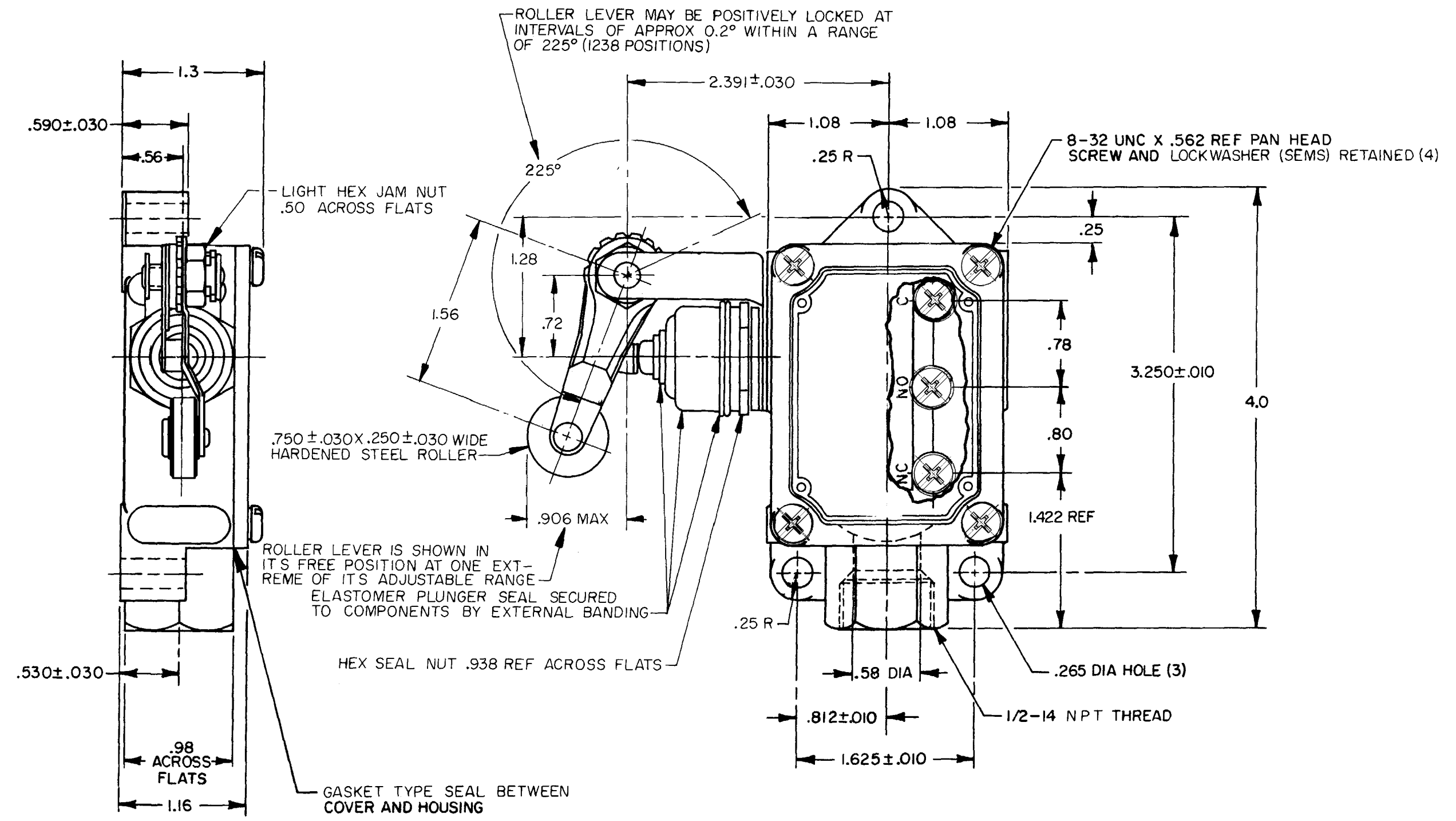
Availability	Global
Operating Force (O.F.)	8,90 N max. [2.0 lbs max.]
Release Force (R.F.)	2,22 N min. [0.50 lbs min.]
Pretravel (P.T.)	5,56 mm max. [0.219 in max.]
Overtravel (O.T.)	6,35 mm min. [0.25 in min.]
Differential Travel (D.T.)	0,51 mm max. [0.020 in max.]
Product Type	Enclosed Switches
Actuator	Top Roller Arm
Lever Style	Roller - Adjustable

Circuitry	1NC 1NO SPDT Snap Action
Ampere Rating	20 A Ind./0.5 A Res./0.25 A Res.
Supply Voltage	125 Vac, 250 Vac, 480 Vac/125 Vdc/250 Vdc
Housing Material	Aluminum Die-Cast
Termination Type	0.5 in - 14NPT conduit
Series Name	BAF/DTF
Sealing	NEMA 1, 3, 4, and 13
Approvals	UL recognized, CSA certified
CSA File #	LR41372
UL File #	E12252
Operating Temperature Range	-32 °C to 71 °C [-25 °F to 160 °F]
Comment	With seal boot on plunger; Lever field adjustable 360° horizontally and 225° vertically; Right-hand actuator position
UNSPSC Code	302119
UNSPSC Commodity	302119 Switches and controls and relays
Sealed	Industrial

**SWITCH - ENCLOSED**

CATALOG LISTING  
**BAF1-2RN2-RH**  
(RIGHT HAND)

CATALOG LISTING  
**BAF1-2RN2-RH**  
PAGE 1 OF 1  
REPLACES  
RELEASE NO.  
CHECK  
ISSUE  
**19**  
CHECK  
REVISIONS  
A CO-73287-M  
GJW  
10 MAY 95  
B C081513B  
JAK  
6 MAR 97  
CHECK  
25 MAY 95  
JJA  
CHECK  
10 MAY 95  
GJW  
DRAWN  
FORMTEK



THIS DRAWING COVERS A PROPRIETARY ITEM AND IS THE PROPERTY OF MICRO SWITCH, A DIVISION OF HONEYWELL. THIS DRAWING IS NOT TO BE COPIED OR USED WITHOUT THE APPROVAL OF MICRO SWITCH

THIRD ANGLE PROJECTION

CHARACTERISTICS	ELECTRICAL DATA
OPERATING FORCE - - - - - 2 LBS MAX	CONTACT ARRANGEMENT
RELEASE FORCE - - - - - 1/2 LB MIN	S P D T
PRETRAVEL - - - - - .219 MAX	L23 20A 125, 250 OR 480 VAC
DIFFERENTIAL TRAVEL - - - - .020 MAX	10A 125 VAC "L"
OVERTRAVEL - - - - - .250 MIN	1HP 125 VAC, 2HP 250 VAC
SWITCH-BASIC REPLACEMENT - BA-2R708-P7	1/2A 125 VDC, 1/4A 250 VDC

SCALE	TOLERANCES
FULL	UNLESS OTHERWISE SPECIFIED TOLERANCES ARE
DO NOT SCALE PRINT	ONE PLACE (.0) ±.030
	TWO PLACE (.00) ±.015
	THREE PLACE (.000) ±.005
	ANGLES ±
	WEIGHT .670 LB

- NOTES
- 1 - ROLLER LEVER BRACKET ASSEMBLY MAY BE SET IN ANY POSITION AROUND AXIS OF PLUNGER
  - 2 - 8-32 UNC X (.219) BINDER HEAD, COMBINATION, TERMINAL SCREWS AND CUP WASHERS

